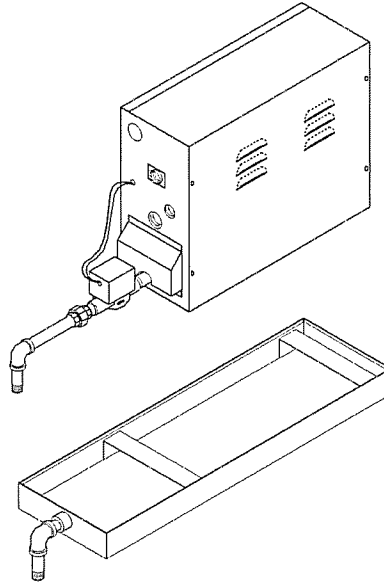


Model ADP Generator Drain Pan

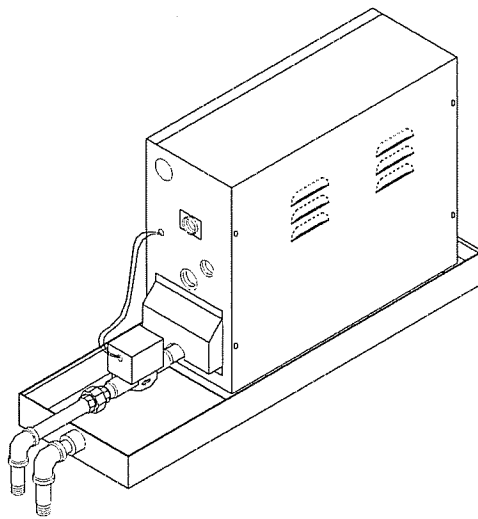
When properly installed and connected to an approved drain line, the ADP Generator Drain Pan will reduce the risk of consequential water damage.

Place ADP Drain Pan on a flat surface in a location suitable for the AK steam generator.
Pan dimensions: 26" L x 8" W x 2" H.



Screw suitable pipe adapter into 3/4" female NPT threaded outlet in pan and connect to a plumbing system drain line.

Set AK generator on supports inside drain pan.



Connect appropriate 1/2" drain pipe to generator drain valve. DO NOT drain water from generator drain valve directly into drain pan.