

## AMEREC STEAMBATH GENERATORS (AK Series Warm Start Option)

**CAUTION:** THIS OPTION KEEPS WATER IN THE STEAM TANK JUST BELOW THE BOILING POINT FOR AS LONG AS THE CONTROL IS LEFT "ON". IF YOU ARE PLANNING NOT TO USE YOUR STEAM GENERATOR OR LEAVE YOUR HOME FOR AN EXTENDED PERIOD OF TIME IT IS RECOMMENDED THAT THE WARM START CONTROL BE TURNED OFF.

FOR THE SAFETY OF YOU AND YOUR FAMILY PLEASE READ THE WARNINGS TO THE RIGHT AND ALL INSTRUCTIONS BEFORE USING YOUR STEAMBATH.

POST "STEAMBATH INSTRUCTIONS" LABEL OUTSIDE STEAMBATH FOR SAFETY WARNINGS.

### SAVE THIS MANUAL

Thank you for purchasing your new AMEREC steam generator. If we can be of any assistance do not hesitate to call our Service Department at 1-800-331-0349.

### WARNING

*Electric Shock Hazard - High voltage exists within this equipment. There are no user serviceable parts in this equipment. All installation and service to this equipment should be performed by qualified licensed personnel.*

*Do not exceed 30 minutes in a steambath. Excessive exposure can be harmful to your health. Excessive exposure can produce a rapid pulse, light-headedness, weakness or fainting. If you become uncomfortable or experience any of the above conditions exit the steambath immediately.*

*Steambaths can put stress on the body. Therefore a steambath should be used only under a doctor's direction if you:*

- Are pregnant*
- Have a heart condition*
- Have high blood pressure*
- Have circulatory problems*
- Are under the influence of alcohol*
- Are under the influence of drugs*
- Have diabetes*
- Are under the care of a physician*
- Are in generally poor health*

*Children should only use the steambath under close adult supervision.*

*Scald Hazard: Do Not Touch the steam head or trim during operation as they are HOT. Stay at least 12 inches away from the hot steam escaping from the steam head.*

*Be careful when entering a steambath. Escaping steam from an overheated steam room may cause injury.*



DIAGRAM 1

THIS LOW VOLTAGE CONTROL CAN BE LOCATED INSIDE OR OUTSIDE THE STEAM ENCLOSURE

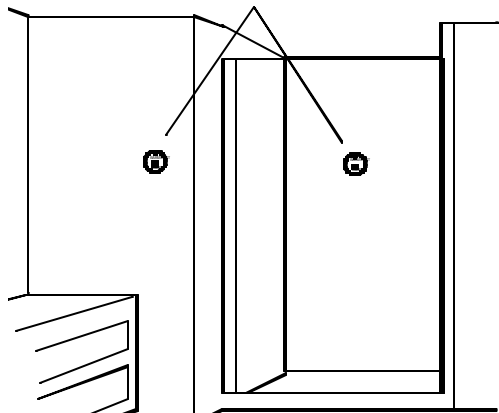


DIAGRAM 2

(OPTIONAL NUT INSTALLATION IF BACK OF WALL IS ACCESSIBLE)

APPLY SEALANT (100% SILICONE CAULK)

1-3/4" DIAMETER HOLE IN FINISHED WALL

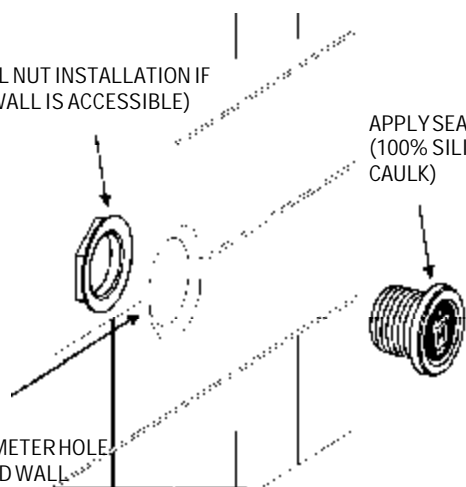
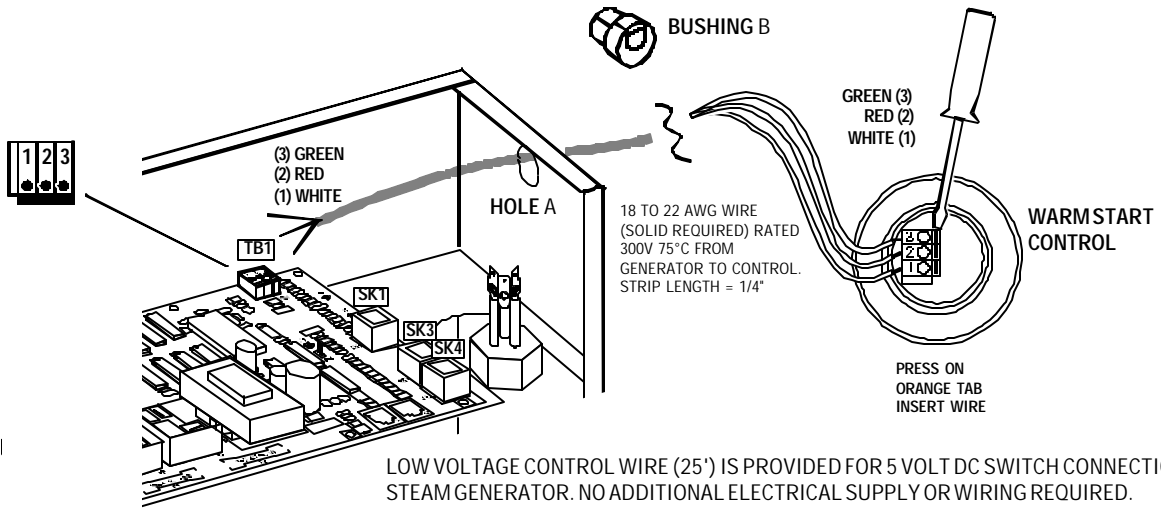


DIAGRAM 3

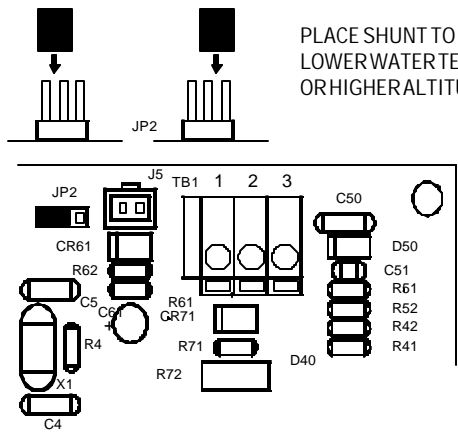


LOW VOLTAGE CONTROL WIRE (25') IS PROVIDED FOR 5 VOLT DC SWITCH CONNECTION TO STEAM GENERATOR. NO ADDITIONAL ELECTRICAL SUPPLY OR WIRING REQUIRED.

DIAGRAM 4

PLACE SHUNT TO THIS SIDE FOR HIGHER WATER TEMPERATURE OR LOWER ALTITUDES

PLACE SHUNT TO THIS SIDE FOR LOWER WATER TEMPERATURE OR HIGHER ALTITUDES



**SECTION 1: INSTALLATION****1. Control Cable Rough-in (25 feet provided):**

The low voltage control can be mounted up to 75 feet from the generator either inside or outside the steam room. String (3) 18 to 22 AWG 300V 75° solid wires from the control location through 1/2" holes in the wall studs or ceiling joists to the generator.

Note: 1) Do not staple through or damage wires,

2) Label or color code wires for proper TB1 to Warm Start Control orientation. See diagram 3.

**2. Control Cable at the Generator:****To prepare steam generator:**

A. Make certain that **power is disconnected**. Remove cover.

B. Feed wire through hole **A** and connect to **TB1** on the circuit board.

C. Locate strain relief bushing **6"** from stripped end of cable jacket. Snap strain relief bushing **B** into hole A.

D. Replace cover.

**3. Install Warm Start Control:**

The low voltage control can be mounted directly to a finished wall either inside or outside the steam room. Using a 1-3/4" hole saw, drill a hole in the finished wall where the control is to be mounted (the control wires should already be roughed-in to this location). Locate the control wires, pull them out through the 1-3/4" hole and plug the 3 wires into the connector on the back of the control, as shown in diagram 3. Run a bead of 100% silicone caulk around the perimeter on the back of the control housing. See diagram 2. Insert the control into the wall cavity.

**SECTION 2: OPERATION**

1. Assure that both the power circuit and water supply to the generator are on.

2. To activate "Warm Start" press the Warm Start control "ON" and the LED should light up. As long as the led is lit the water in the steam generator tank will be heating to just below the boiling point.

3. To turn the "Warm Start" off press the Warm Start control a second time and the LED on the control should now turn off.

**SECTION 3: TEMPERATURE SETTING ADJUSTMENT**

1. Two temperature settings for the water temperature are available, selected using a shunt on JP2. In the left position, the water is heated to about 180°F, which should provide preheat without boiling the water in installations up to 2500 feet above sea level. In the right position, the water is held at about 170°F which is good to over 5000 feet. These temperatures should prevent the generator from creating steam while in Warm Start operation.

2. As shown in diagram 4, the shunt on JP2 is placed on the left pin and the center pin as the default factory position. If higher altitude settings are required, the installer will need to change the position as needed.

**SECTION 4: SERVICE**

If the LED on the Warm Start Control or Digital Control is flashing or an "E" error code message is displayed on the Digital Control, call AMEREC Service Department at 1-800-331-0349. The symptoms described above indicate a fault condition has occurred.

